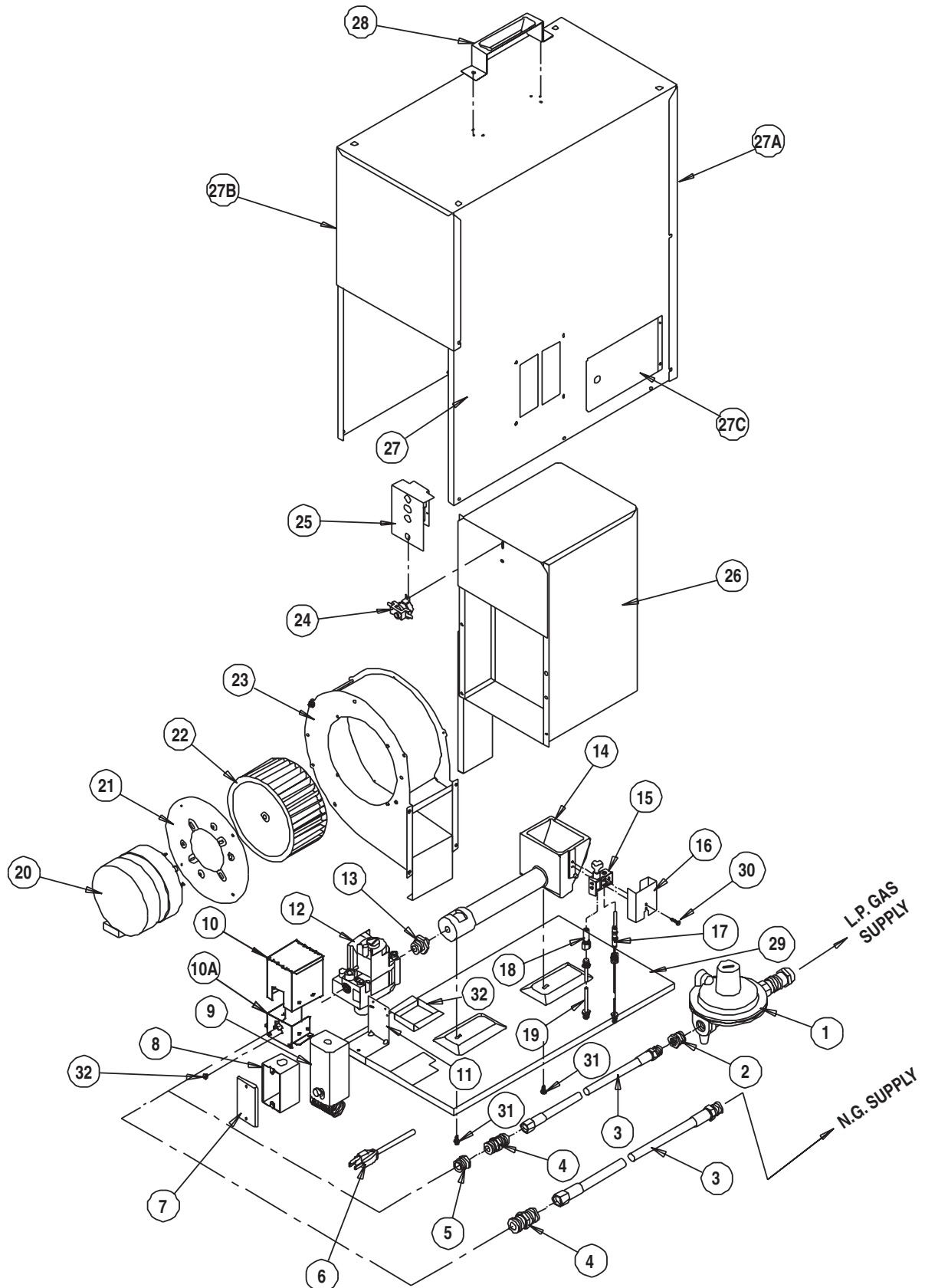


Parts Identification

Classic 60-60N
Models 346K/348K

PARTS SCHEMATIC



Parts Identification

Classic 346-348 Models 346K/348K

PARTS LIST

Item	Description	Part Number
1	Regulator, Single Stage (Propane Gas)	23215
	Regulator, Second Stage (Propane Gas)	06665
2	Bushing 3/8 NPT x 1/4	01544
3	Hose, 1/4 in. ID x 10 ft (Propane Gas).	20496
	Hose, 3/8 in. ID x 10 ft. (Natural Gas)	22000
4	Adapter, 1/4 NPT x 9/16-18 UNF	01098
	Adapter, 1/2 NPT x 5/8-18 UNF	06655
5	Bushing, 1/2 x 1/4	01519
6	Cord, Power, 5ft.	01220
7	Cover, Junction Box	03231
8	Junction Box	03230
9	Thermostat with Bracket	05568
10	Cover, Gas Control Valve	23980
10A	Bracket, Gas Control Valve	23981
11	Bracket, Thermostat	05493
12	Valve, Pilot Gas Control (Propane Gas)	21615
	Valve, Pilot Gas Control (Natural Gas)	21616
13	Orifice, Burner (Propane Gas)	21584
	Orifice, Burner (Natural Gas)	21585
14	Burner Casting	08026
15	Pilot Assembly with Orifice (Propane Gas)	02729
	Pilot Assembly with Orifice (Natural Gas)	02741
16	Shield, Pilot	08205
17	Thermocouple, 21 in.	03497
18	Orifice, Pilot (Propane Gas)	02689
	Orifice, Pilot (Natural Gas)	02740
19	Tube, Pilot with Nuts	21380
20	Motor	20290
21	Mount, Motor	05490
22	Wheel, Fan	02808
23	Housing, Fan	05579
24	Switch, High Limit	05566
25	Cover, High Limit	05567
26	Chamber, Heat	21425
27	Case, Assembly	23283 (1)
27A	Case Panel, Motor End	07330 (1)
27B	Case Panel, Burner End	07331 (1)
27C	Door, Pilot Access	07748
28	Handle	09297
29	Base	21412
30	Screw, Pilot	08048
31	Screw, Burner	03068
32	Screw	09425

(1) Specify fuel gas type and model number when ordering.

WIRE SELECTION TABLE				
DESCRIPTION	COLOR	LENGTH	DESIGN	PART NO.
Wire, High Limit	Black	25 in.	All	06373

FASTENER SELECTION TABLE		
DESCRIPTION	APPLICATION	PART NO.
Screw, 8 x 3/4 Sheet Metal	High Limit Switch, Mounting	02330
Screw	All Other Applications	07288
Washer	Burner Mounting	01589