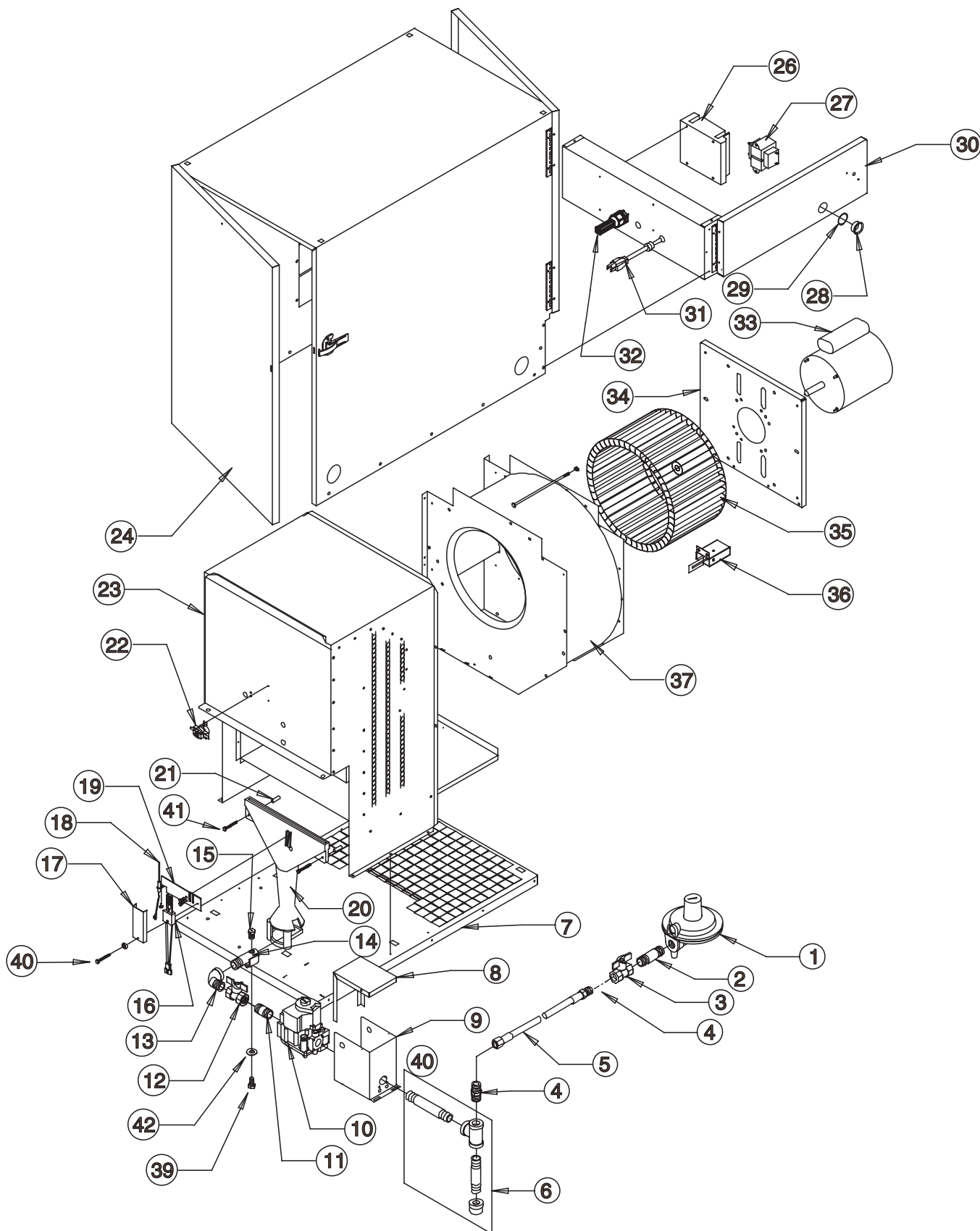


Parts Identification

Guardian 250 HSI
Model AW250B

PARTS SCHEMATIC



Parts Identification

Guardian 250 HSI Model AW250B

PARTS LIST

Item	Description	Part Number
1	Regulator, LP Gas, 2nd Stage, Vent Over Outlet	06553
	Regulator, LP Gas, 2nd Stage, Vent Over Side	06665
	Regulator, Natural Gas	23360
2	Nipple, 3 1/2 in.	07148
3	Valve, Manual Shut Off	05548
4	Adapter, Hose, 1/2 NPT x 1/2 NPS	02894
5	Hose, 1/2 in. ID x 10 ft. with Adapter	20714
6	Kit, Sediment Trap	00815
7	Base	20136
8	Cover, Gas Control Valve	09287
9	Bracket, Gas Control Valve	09506
10	Valve, Gas Control: LP Gas	22076
	Valve, Gas Control: Natural Gas	09428
11	Nipple, 1/2 in. x 1 1/2 in.	02420
12	Valve, Throttle: LP Gas	20143
	Valve, Throttle: Natural Gas	20144
13	Ell, Street	01359
14	Manifold	09291
15	Orifice, Burner: LP Gas	20141
	Orifice, Burner: Natural Gas	20142
16	Igniter	09201
17	Shield, Igniter	09167
18	Sensor, Flame	20139
19	Bracket, Igniter	09202
20	Burner	03453
21	Spacer	02687
22	Switch, High Limit	05566
23	Chamber, Heat	20024
24	Case, Assembly with Doors and Latches ⁽³⁾	Galvanized Painted 20149 20465
26	Control, Ignition	09298
27	Transformer, 120/24 v.	09615
28	Plug, Window	08255
29	O-Ring	08347
30	Cover, Control Box	20134
31	Cord, Power, 10 ft.	20133
32	Harness, Wire	23700
33	Motor, 1/3 HP, Ball Bearing	20169
34	Mount, Motor	08647
35	Wheel, Fan	09050
36	Assembly, Air Flow Switch	24157
37	Housing, Fan, with Air Flow Switch Assembly and Motor Mount	24167
38	Bolt	02692
39	Screw, 6 - 32 x 3/4 in.	07240
40	Screw	02688
41	Washer	01589

(1) Complete control box assembly, specify part #24235 (galvanized) or 24236 (painted) and if required for U.S.A. or Canada.

(2) For fixed rate heater, replace items 11, 12 and 13 with a 1/2 in. elbow, part #01426 and a nipple, 1/2 in. x 3 1/2 in., part #07148.

(3) Specify fuel type and if required for U.S.A. or Canada when ordering.