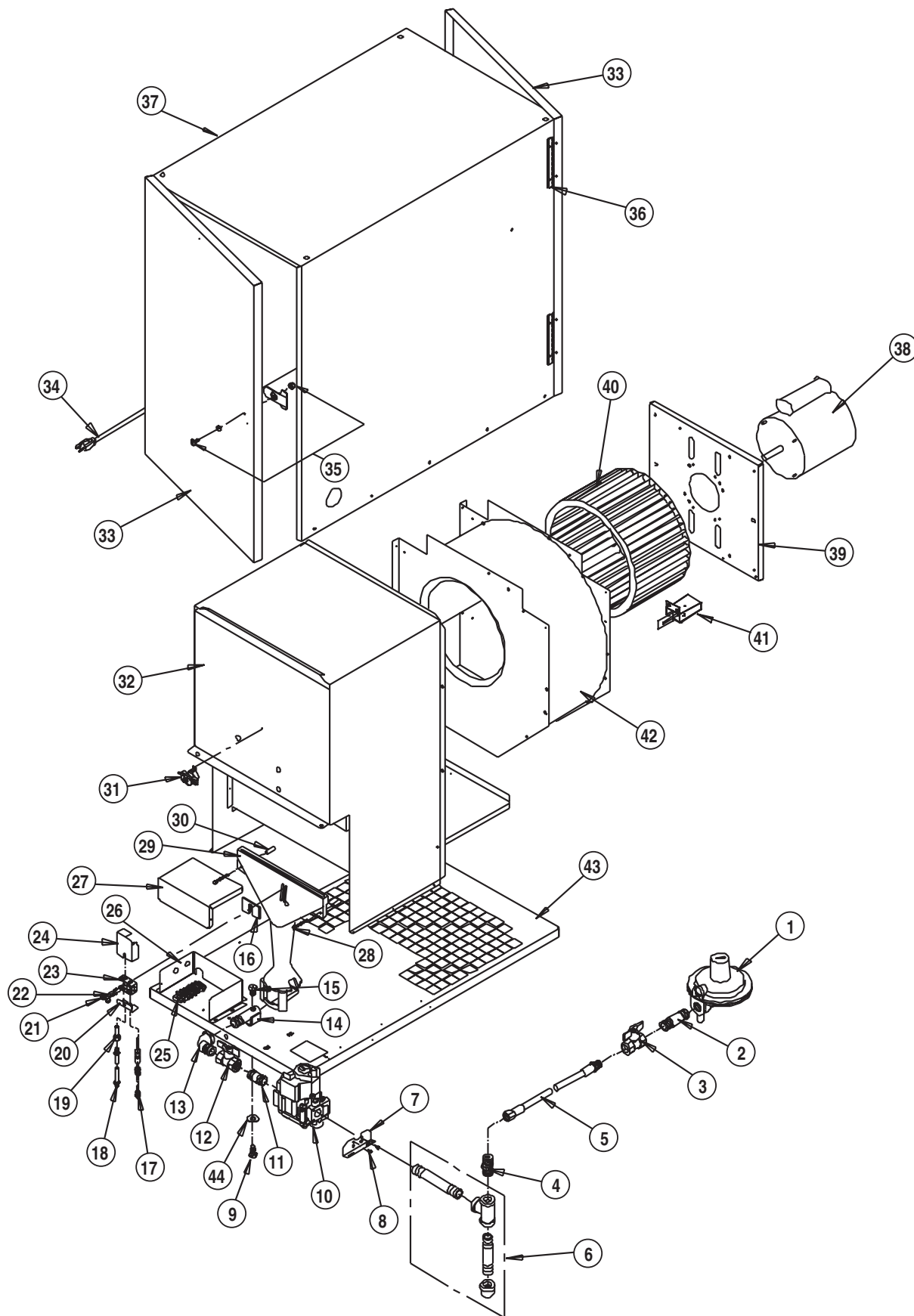


Parts Identification

Guardian 250 Pilot Model AB250B

PARTS SCHEMATIC



Parts Identification

Guardian 250 Pilot Model AB250B

PARTS LIST

Item	Description	Part Number
1	Regulator, Second Stage (LP Gas)	06665
	Regulator, Second Stage (Nat. Gas)	23360
2	Nipple, 3 1/2 in.	07148
3	Valve, Manual Shut-Off	05548
4	Hose, 1/2 in. x 10 ft.	20714
5	Adapter, 1/2 NPT x 1/2 NPS	02894
6	Sediment Trap	00815
7	Bracket	21768
8	Screw	09425
9	Bolt	02692
10	Valve, Gas Control (LP Gas)	20439
	Valve, Gas Control (Natural Gas)	20440
11	Nipple	02420
12	Valve, Throttle (LP Gas)	20143
	Valve, Throttle (Natural Gas)	20144
13	El, Street	01359
14	Manifold	09291
15	Orifice, Burner (LP Gas)	20141
	Orifice, Burner (Natural Gas)	20142
16	Gasket	06974
17	Thermocouple, 21 in.	03497
18	Tubing, Pilot	20436
19	Orifice, Pilot (LP Gas)	07829
	Orifice, Pilot (Natural Gas)	06968
20	Cover, Bottom	20265
21	Screw, Wing	07484
22	Stud	07827
23	Pilot Bracket	07831
24	Shield with Pilot Stack	20264
25	Terminal Strip	08253
26	Enclosure, Electrical	20028
27	Cover, Enclosure	20027
28	Screw	02688
29	Burner	03453
30	Spacer	02687
31	Switch, High Limit	05566
32	Chamber, Heat	20024
33	Door (Either End)	20757
34	Cord, Power	20426
35	Latch	09467
36	Hinge	05868
37	Case Assembly (1)	20434
38	Motor	20169
39	Mount, Motor	08467
40	Wheel, Fan	09050
41	Air Flow Switch Assembly	24157
42	Housing with Air Flow Switch Assembly and Motor Mount	24167
43	Base	20431
44	Washer	01589

(1) Specify model number and fuel type when ordering.

(2) For fix rate heater, replace items 11, 12 and 13, with a 1/2 in. elbow - part #01426;
and a nipple, 1/2 in. x 3 1/2 in. - part #07148