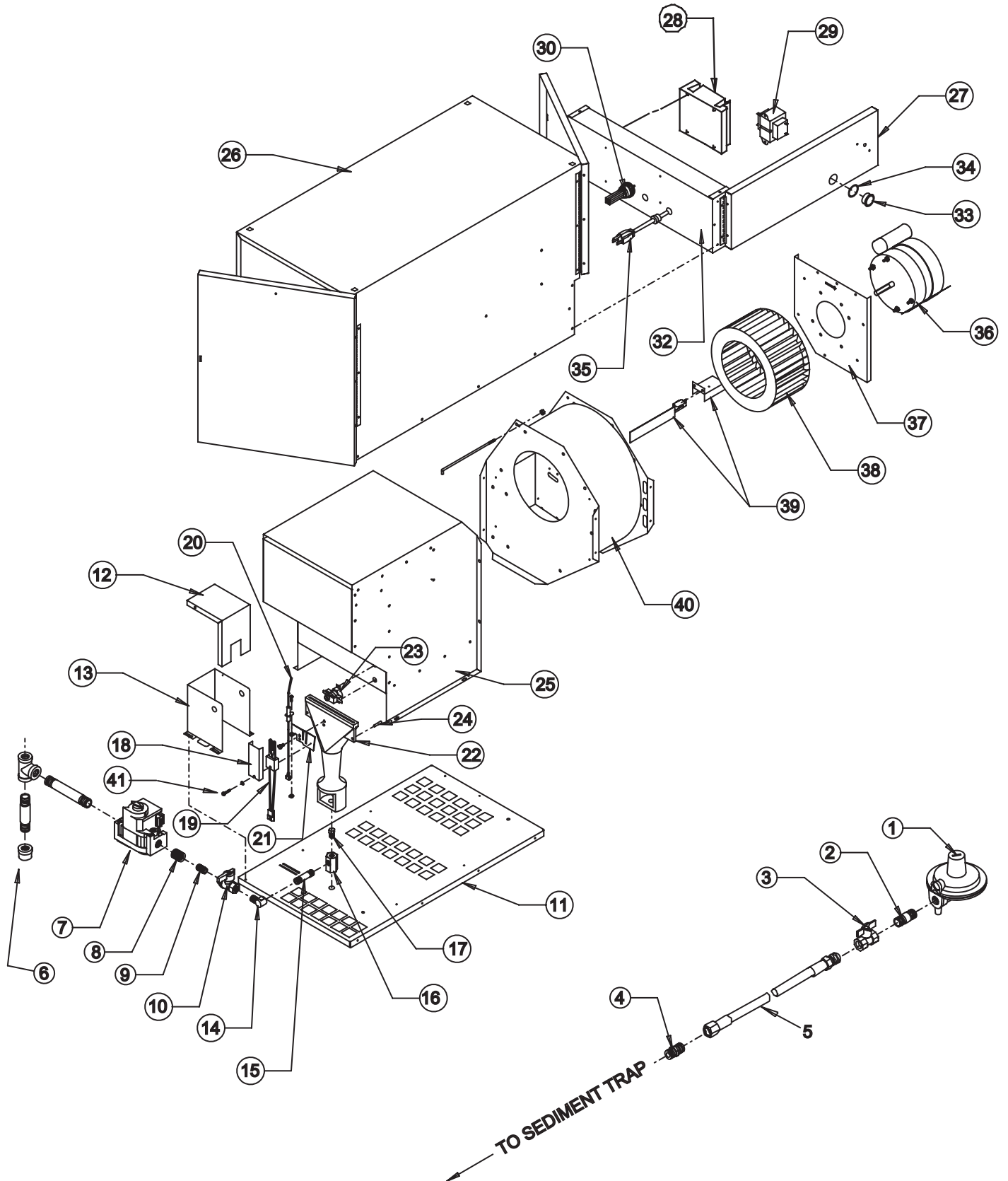


# Parts Identification

Guardian 60 HSI  
Model AW060A

## PARTS SCHEMATIC



# Parts Identification

## Guardian 60 HSI Model AW060A

### PARTS LIST

Item	Description	Part Number
1	Regulator, LP Gas, 2nd Stage, Vent over Side	06665
	Regulator, LP Gas, 2nd Stage, Vent over Outlet	06553
	Regulator, Natural Gas (not illustrated) (5 PSIG Inlet, 13.5 in W.C. Outlet)	07087
2	Nipple, 1/2 x 3 1/2	07148
3	Valve, Manual Shut-Off	05548
4	Adapter, 1/2 NPT x 5/8-18	06655
5	Hose, 3/8 in. x 10 ft. w/Adapter	21993
6	Kit, Sediment Trap	00815
7	Valve, Gas Control, LP Gas	22076
	Valve, Gas Control, Natural Gas	09428
8	Bushing, Pipe	07859
9	Nipple, Close	01142
10	Valve, Throttle, LP Gas, 60,000 Btu	09649
	Valve, Throttle, Natural Gas, 60,000 Btu	09721
	Valve, Throttle, LP Gas, 100,000 Btu	09661
	Valve, Throttle, Natural Gas, 100,000 Btu	09722
11	Base, 60,000 Btu	09437
	Base, 100,000 Btu	09530
12	Cover, Gas Control Valve	09443
13	Bracket, Gas Control Valve	09444
14	Ell, Street	09621
15	Nipple	03071
16	Holder, Orifice	02690
17	Orifice, Burner, LP Gas, 60,000 Btu	09630
	Orifice, Burner, Natural Gas, 60,000 Btu	09631
	Orifice, Burner, LP Gas, 100,000 Btu	09633
	Orifice, Burner, Natural Gas, 100,000 Btu	09634
18	Shield, Igniter	09167
19	Igniter	09201
20	Flame, Sensor	09626
21	Bracket, Igniter and Sensor	09932
22	Burner	09933
23	Switch, High Limit	03933
24	Spacer	02687
25	Chamber, Heat, 60,000 Btu	09652
	Chamber, Heat, 100,000 Btu	09664
26	Case Assembly w/Doors and Latches, 60,000 Btu (2)	09655
	Case Assembly w/Doors and Latches, 100,000 Btu (2)	09667
27	Cover, Control Panel w/Gasket and Latch	09975
28	Control, Ignition	09298
29	Transformer	09615
30	Harness Connector, Wire	23701
32	Control Box Bottom	09438
33	Plug, Window	08255
34	O-Ring	08347
35	Cord, Power, 5 ft.	09663
36	Motor, 1/12 HP, 60,000 Btu	20290
	Motor, 1/8 HP, 100,000 Btu	20292
37	Mount, Motor, 60,000 Btu	05490
	Mount, Motor, 100,000 Btu	09528
38	Fan, Wheel, 60,000 Btu	02808
	Fan, Wheel, 100,000 Btu	03531
39	Switch, Air Proving w/Bracket, 60,000 Btu	09839
	Switch, Air Proving w/Bracket, 100,000 Btu	09840
40	Housing, Fan, w/Air Flow Switch and Bracket, 60,000 Btu	20989
	Housing, Fan, w/Air Flow Switch and Bracket, 100,000 Btu	20990
41	Screw, 6 - 32 x 3/4	07240

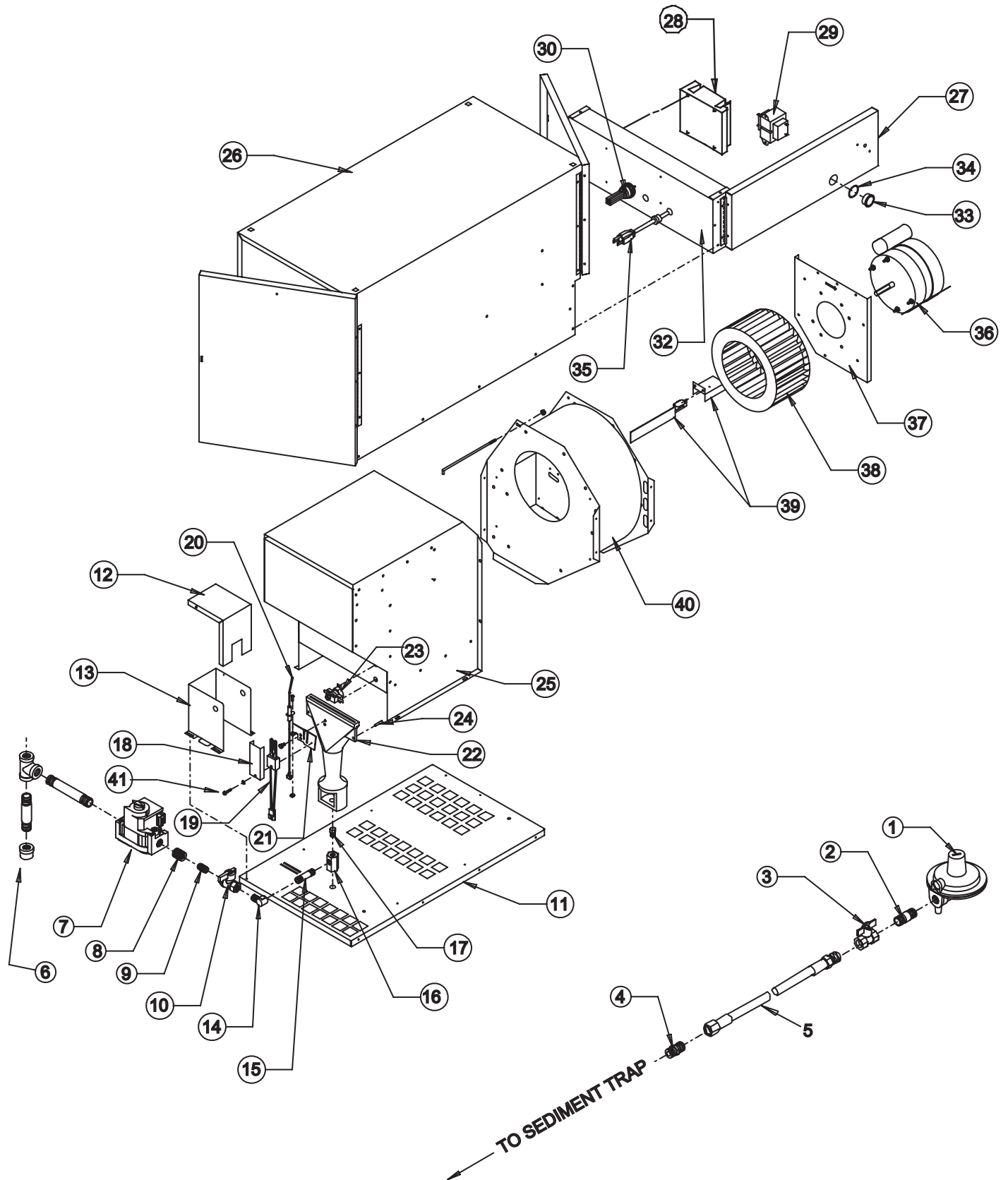
- (1) Complete control box assembly for all models , including wires, transformer, ignition control and power cord is part number 09658.  
 (2) Specify model number and fuel type when ordering.

FASTENER SELECTION TABLE		
DESCRIPTION	APPLICATION	PART NO.
Bolt, 3/8 - 16 x 3/4	Burner Mounting	02692
Screw, 1 1/2 in.	Burner Mounting	02688
Washer, 3/8 in.	Burner Mounting	01589

# Parts Identification

**Guardian 100 HSI  
Model AW100A**

## PARTS SCHEMATIC



# Parts Identification

## Guardian 100 HSI Model AW100A

### PARTS LIST

Item	Description	Part Number
1	Regulator, LP Gas, 2nd Stage, Vent over Side	06665
	Regulator, LP Gas, 2nd Stage, Vent over Outlet	06553
	Regulator, Natural Gas (not illustrated) (5 PSIG Inlet, 13.5 in W.C. Outlet)	07087
2	Nipple, 1/2 x 3 1/2	07148
3	Valve, Manual Shut-Off	05548
4	Adapter, 1/2 NPT x 5/8-18	06655
5	Hose, 3/8 in. x 10 ft. w/Adapter	21993
6	Kit, Sediment Trap	00815
7	Valve, Gas Control, LP Gas	22076
	Valve, Gas Control, Natural Gas	09428
8	Bushing, Pipe	07859
9	Nipple, Close	01142
10	Valve, Throttle, LP Gas, 60,000 Btu	09649
	Valve, Throttle, Natural Gas, 60,000 Btu	09721
	Valve, Throttle, LP Gas, 100,000 Btu	09661
	Valve, Throttle, Natural Gas, 100,000 Btu	09722
11	Base, 60,000 Btu	09437
	Base, 100,000 Btu	09530
12	Cover, Gas Control Valve	09443
13	Bracket, Gas Control Valve	09444
14	EII, Street	09621
15	Nipple	03071
16	Holder, Orifice	02690
17	Orifice, Burner, LP Gas, 60,000 Btu	09630
	Orifice, Burner, Natural Gas, 60,000 Btu	09631
	Orifice, Burner, LP Gas, 100,000 Btu	09633
	Orifice, Burner, Natural Gas, 100,000 Btu	09634
18	Shield, Igniter	09167
19	Igniter	09201
20	Flame, Sensor	09626
21	Bracket, Igniter and Sensor	09932
22	Burner	09933
23	Switch, High Limit	03933
24	Spacer	02687
25	Chamber, Heat, 60,000 Btu	09652
	Chamber, Heat, 100,000 Btu	09664
26	Case Assembly w/Doors and Latches, 60,000 Btu (2)	09655
	Case Assembly w/Doors and Latches, 100,000 Btu (2)	09667
27	Cover, Control Panel w/Gasket and Latch	09975
28	Control, Ignition	09298
29	Transformer	09615
30	Harness Connector, Wire	23701
32	Control Box Bottom	09438
33	Plug, Window	08255
34	O-Ring	08347
35	Cord, Power, 5 ft.	09663
36	Motor, 1/12 HP, 60,000 Btu	20290
	Motor, 1/8 HP, 100,000 Btu	20292
37	Mount, Motor, 60,000 Btu	05490
	Mount, Motor, 100,000 Btu	09528
38	Fan, Wheel, 60,000 Btu	02808
	Fan, Wheel, 100,000 Btu	03531
39	Switch, Air Proving w/Bracket, 60,000 Btu	09839
	Switch, Air Proving w/Bracket, 100,000 Btu	09840
40	Housing, Fan, w/Air Flow Switch and Bracket, 60,000 Btu	20989
	Housing, Fan, w/Air Flow Switch and Bracket, 100,000 Btu	20990
41	Screw, 6 - 32 x 3/4	07240

- (1) Complete control box assembly for all models , including wires, transformer, ignition control and power cord is part number 09658.  
 (2) Specify model number and fuel type when ordering.

FASTENER SELECTION TABLE		
DESCRIPTION	APPLICATION	PART NO.
Bolt, 3/8 - 16 x 3/4	Burner Mounting	02692
Screw, 1 1/2 in.	Burner Mounting	02688
Washer, 3/8 in.	Burner Mounting	01589